

Rolls

S2-I295GEL
2V 1295 AH @C20

TUBULAR POSITIVE - OPzV - VALVE REGULATED GEL BATTERY



CONSTANT CURRENT DISCHARGE

| CUT OFF VOLTAGE V/CELL | 30MIN | 1HR | 2HR | 3HR | 4HR | 6HR | 8HR | 10HR | 20HR |
|------------------------|-------|-------|-------|-------|-------|-------|-------|-------|------|
| 1.75V | 936.0 | 668.4 | 416.4 | 302.6 | 236.4 | 183.6 | 142.0 | 122.4 | 64.2 |



Rolls
BATTERY ENGINEERING
BY SURRETTE BATTERY COMPANY

SPECIFICATIONS

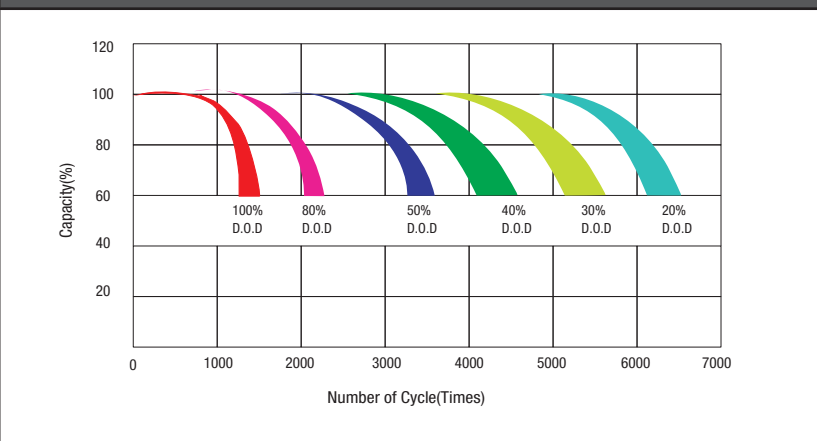
| | | |
|-------------------------------|------------------------------------|--------------------|
| Nominal Voltage | | 2 Volt |
| Rated Capacity (20 hour rate) | | 1295 AH |
| Dimensions | Total Height (including terminals) | 681mm / 26.81" |
| | Length | 275mm / 10.83" |
| | Width | 210mm / 8.27" |
| | Weight | 207.23 lbs / 94 Kg |



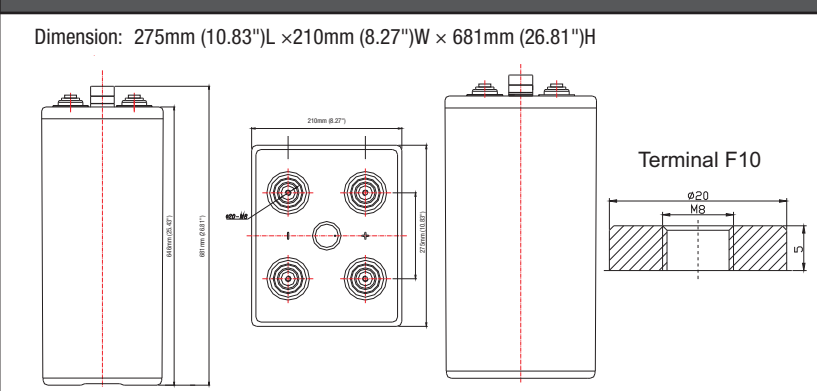
CHARACTERISTICS

| | | |
|--|---------------------------------------|-------------------------------|
| Capacity 77°F (25°C) | 100 Hour Rate | 1510 AH |
| | 20 Hour Rate | 1295 AH |
| | 10 Hour Rate | 1200 AH |
| Internal Resistance | Full charged Battery 77°F (25°C) | 0.25mΩ |
| Capacity Affected by Temperature (20hr rate) | 104°F (40°C) | 105% |
| | 77°F (25°C) | 100% |
| | 32°F (0°C) | 89% |
| | 5°F (-15°C) | 79% |
| Self-Discharge | Less than 2% per month at 77°F (25°C) | |
| Max Discharge 77°F (25°C) | 4000A (5s) | |
| Terminal | Standard | Thread insert & Bolt (F10-M8) |
| Float Charging Voltage Range | 2.25 to 2.3 VDC/unit Average at 25°C | |
| Max Charge Current | 240 Amps | |

CYCLE LIFE



SIZE & DETAILED ILLUSTRATION



TEMP EFFECTS ON LIFE AT FLOAT CHARGE

